

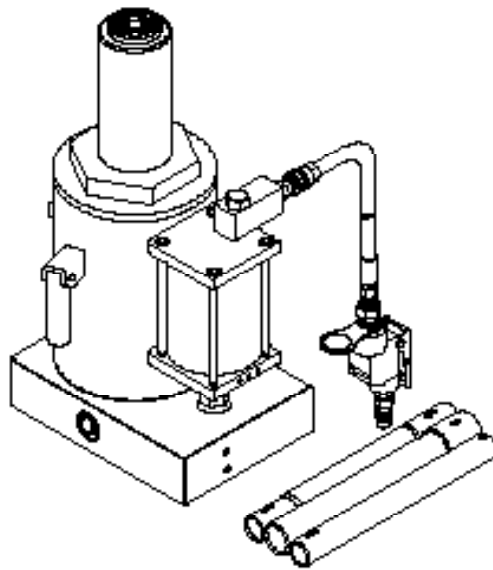
Operating Instructions & Parts Manual



Air Hydraulic Bottle Jacks

Model
14480

Capacity
50 Ton



This is the safety alert symbol. It is used to alert you to potential personal injury hazards. Obey all safety messages that follow this symbol to avoid possible injury or death.

WARNING

To avoid **crushing and related injuries**:



NEVER work on, under or around a load supported only by a hydraulic jack. **ALWAYS** use adequately rated jack stands.

AME International
www.ameintl.net

Read this manual and follow all the Safety Rules and Operating Instructions before using this product.

SAFETY and GENERAL INFORMATION

Save these instructions. For your safety, read, understand, and follow the information provided with and on this jack before using. The owner and operator of this equipment shall have an understanding of this jack and safe operating procedures before attempting to use. The owner and operator shall be aware that use and repair of this product may require special skills and knowledge. Instructions and safety information shall be conveyed in the operator's native language before use of this jack is authorized. If any doubt exists as to the safe and proper use of this jack, remove from service immediately.

Inspect before each use. Do not use if broken, bent, cracked or damaged parts are noted. Any jack that appears damaged in any way, or operates abnormally shall be removed from service immediately. If the jack has been or suspected to have been subjected to a shock load (a load dropped suddenly, unexpectedly upon it), immediately discontinue use until jack has been checked by a factory authorized service center (contact distributor or manufacturer for list of authorized service centers). It is recommended that an annual inspection be done by qualified personnel. Labels and Operator's Manuals are available from manufacturer.

PRODUCT DESCRIPTION

AME International Air Actuated Hydraulic Bottle Jacks are designed to lift, not support, rated capacity loads consisting of one end of a vehicle. Immediately after lifting, the load must be supported by a pair of appropriately rated jack stands. Ensure that air source can dedicate 7.8 CFM @ 110-175 psi to each jack operated. A minimum of 150 psi air pressure is required to raise rated capacity load.



WARNING: *Never use hydraulic jack as a stand alone device. After lifting, **immediately** support the lifted load with a pair of appropriately rated jack stands.*

PREPARATION

Before Use

1. Verify that the product and application are compatible, if in doubt call AME International (352) 799-1111.
2. Before using this product, read the operator's manual completely and familiarize yourself thoroughly with the product, its components and recognize the hazards associated with its use.
3. Assemble handle, ensure spring clips align with slots.
4. To familiarize yourself with basic operation, use the notched end of provided handle to engage and turn the release valve:
 - a. *Clockwise* until firm resistance is felt to further turning. This is the '**CLOSED**' release valve position used to **raise** the ram plunger.
 - b. *Counter-clockwise*, but no more than 1/2 turn from the closed position. This is the '**OPEN**' release valve position used to **lower** the ram plunger.
5. With ram fully retracted and release valve closed, pump the operating handle. If ram responds immediately, jack is ready for use. If ram does not respond, open release valve and pump 6 to 8 full strokes to purge air. Close release valve and recheck operation.
6. Pour a teaspoon of good quality, air tool lubricant into the air supply inlet of the lift control valve. Connect to air supply and operate for 3 seconds to evenly distribute lubricant.
7. This product is equipped with the popular 1/4" NPT air coupler. When installing a different air coupler of your choice, ensure that thread tape or compound is used when servicing connections. To ensure dependable, trouble free operation an inline air dryer and oiler is recommended.
8. Check that the pump operates smoothly before putting into service. Replace worn or damaged parts and assemblies with AME International authorized replacement parts only.

Bleeding / Venting Trapped Air

With the release valve in the OPEN position (4b above) and with ram plunger fully lowered, locate and remove the oil filler screw. Pump 6 to 8 full strokes. This will help release any pressurized air which may be trapped within the reservoir. Oil level should be even with the bottom of the oil filler hole. Reinstall the oil filler screw.

WARNING

- **Study, understand, and follow** all printed materials provided with/on this product before use.
- **Do not** exceed rated capacity.
- **This is a lifting device only! Immediately** after lifting, support the load with a **pair** of appropriately rated jack stands
- **Only** attachments and/or adapters supplied by the manufacturer shall be used.
- Use only on hard, level surface.
- Lift only on areas of the vehicle as specified by the vehicle manufacturer.
- Never wire, clamp or otherwise disable the lift control valve to function by other than operator's hand.
- No alterations shall be made to this product.
- Failure to heed these markings may result in personal injury and/or property damage.

WARNING



To avoid **crushing and related injuries**:

- **Never** work on, under or around a load supported only by hydraulic jack.
- **Always** use adequately rated jack stands.
- Chock each unlifted tire in both directions.
- **Do not** use this device to lift, level, lower, support nor move a house, mobile home, travel trailer, camper or any building structure.
- **Be alert** and **sober** when using this product. Do not operate under the influence of drugs or alcohol.

NOTICE: *Be sure all tools and personnel are clear before lowering load. Only attachments and/or adapters supplied by the manufacturer shall be used. Lift only on areas of the vehicle as specified by the vehicle manufacturer.*

OPERATION

Raising the Ram Plunger

1. Assemble handle, ensure that spring clips align with slots.
2. Place vehicle in the park, with emergency brake on and wheel securely chocked to prevent inadvertent vehicle movement.
3. Locate and close release valve by turning handle clockwise until firm resistance is felt to further thread engagement.
4. Verify lift point, center jack saddle under lift point.
5. Squeeze the lift control valve in order to raise saddle to contact lift point. To lift, continue pumping until load reaches desired height.
6. **Immediately** secure lifted load with appropriately rated jack stands.



WARNING: *Use only the handle provided by jack manufacturer. The handle provided with this jack will safely engage the release valve. If handle is worn, operates abnormally, or will not positively engage the release valve, **STOP**, discontinue use of the jack until a factory replacement handle can be acquired.*



WARNING: *Do not use an extender on the air hose or the operating handle.*

Lowering

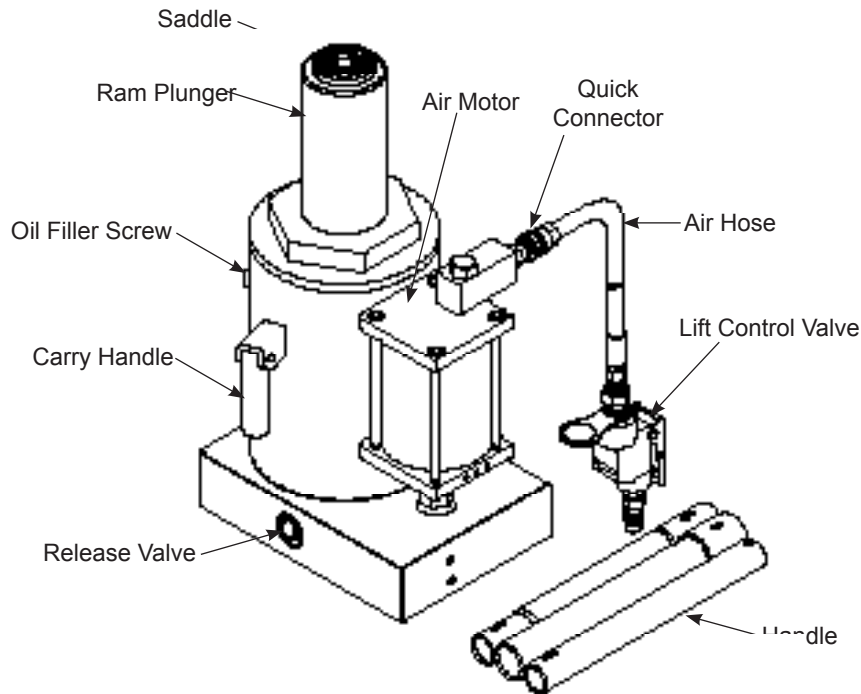


WARNING: *Make certain that all personnel are clear of the load before lowering. **Control** the rate of descent of the load **at all times**. The **more** you open the release valve, the **faster** the load descends.*

1. Raise load high enough to clear the jack stands, then carefully remove jack stands (**always** used in pairs).
2. Slowly turn the handle counter-clockwise, but no more than 1/2 turn. If the load fails to lower:
 - a. Use another jack to raise the vehicle high enough to reinstall jack stands.
 - b. Remove the affected jack and then the stands.
 - c. Lower the load by turning the release valve counter-clockwise, but no more than 1/2 turn.
3. After removing jack from under the load, push ram and handle sleeve down to reduce exposure to rust and contamination.

SPECIFICATIONS

Model	Capacity	Base Size (L x W)	Saddle Diameter	Min. Height	Max. Height	Hydraulic Lift	Volume Hyd. Oil	Net Weight
14480	50 Ton	10 7/8" x 7 3/8"	2 1/2"	12"	19"	7"	1,650 mL	129 lb.



MAINTENANCE

Important: Use only good grade hydraulic jack oil. Avoid mixing different types of fluid and NEVER use brake fluid, turbine oil, transmission fluid, motor oil or glycerin. Improper fluid can cause premature failure of the jack and the potential for sudden and immediate loss of load. We recommend premium hydraulic oil.

Adding oil

1. With ram plunger fully lowered and air supply disconnected, set jack in its upright, level position. Remove oil filler screw.
2. Fill with oil until just below the rim of the oil filler hole. Reinstall the oil filler screw.

Changing oil

For best performance and longest life, replace the complete fluid supply at least once per year.

1. With ram plunger fully lowered and air supply disconnected, remove the oil filler screw.
2. Lay the jack on its side and drain the fluid into a suitable container.

Note: Dispose of hydraulic oil in accordance with local regulations.

3. Fill with oil until just below the rim of the oil filler hole. Reinstall the oil filler screw.
4. Perform bleeding/ venting trapped air instructions

Lubrication

Air pump should be internally lubricated before each use. Use good quality air tool lubricant. If no inline oiler is used, pour a teaspoon of air tool oil into the air control valve inlet. Operate the jack with air pressure to fully distribute the oil inside the air motor.

Cleaning

Periodically check the ram for signs of rust/corrosion. Clean as needed and wipe with oily cloth.

Note: Never use sandpaper or abrasive material on ram surface!

Storage

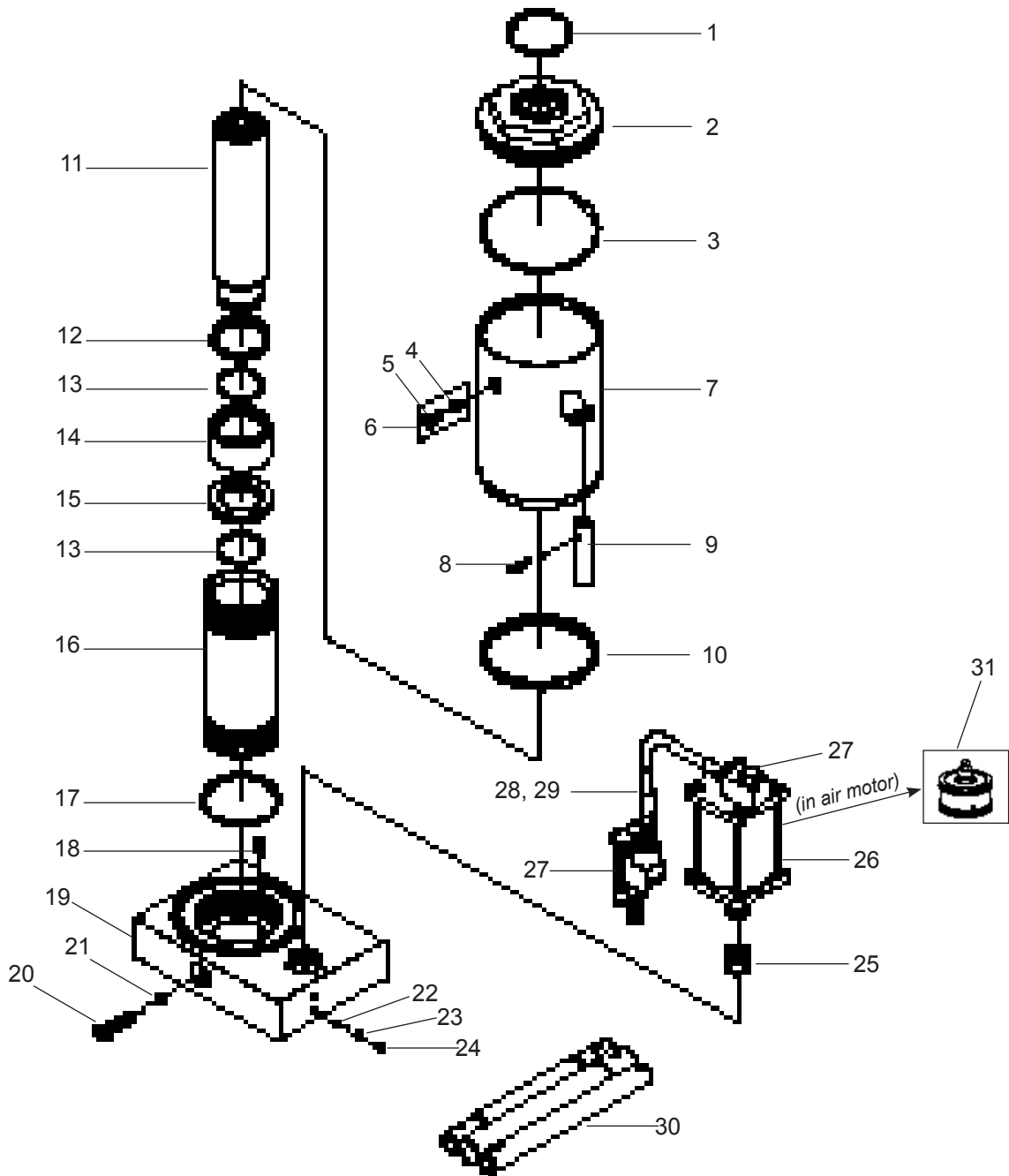
When not in use, store the jack with ram plunger fully retracted and air supply disconnected.

REPLACEMENT PARTS

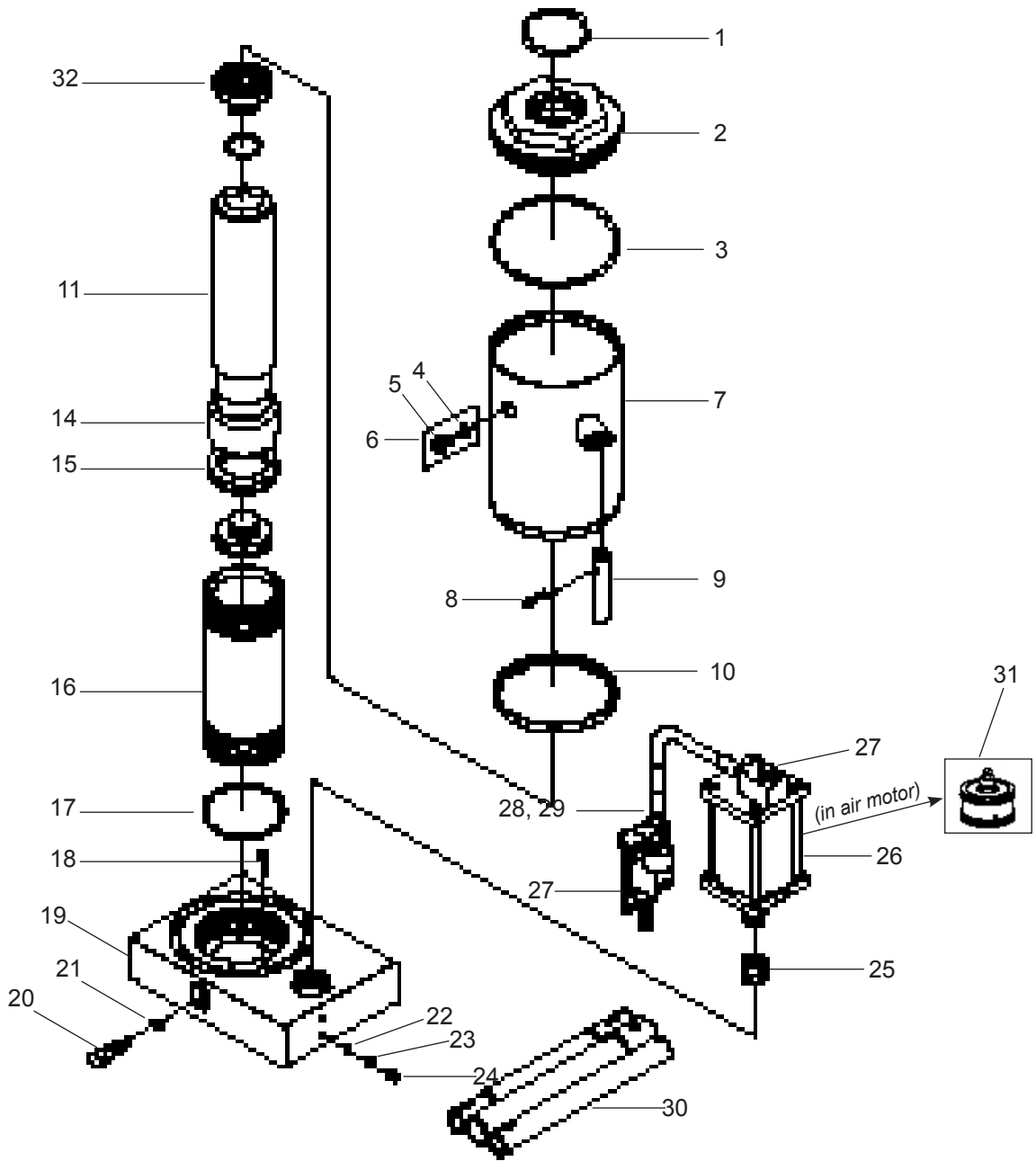
(refer to page 5 thru 7)

Not all components of the jack are replacement items, but are illustrated as a convenient reference of location and position in the assembly sequence. When ordering parts, give Model number, serial number and parts description. Call or write for current pricing: AME International • 2347 Circuit Way • Brooksville, FL 34604
Phone: (352) 799-1111 • Fax: (352) 799-1112 • Toll Free: (877) 755-4AME (4263) • sales@ameintl.net
www.ameintl.net.

Replacement Parts Illustration for Model 14480



Replacement Parts Illustration for Model 14480



Replacement Parts List for Model 14480

Item	Part# for model:		Description	Qty
1	*		O-ring	1
2	N/A		Top Nut	1
3	*		O-ring	1
4	N/A		O-ring	1
5	N/A		Filler screw	1
6	* (324-4-1900-208)		Filler Screw Assembly	1
7	N/A		Reservoir	1
8	601-4-0080-009		Spring Pin	2
9	244-6-1806-205		Carry Handle	2
10	*		Oil Seal	1
11	N/A		Ram Plunger	1
12	244-6-1205-108	-	Collar	1
13	244-6-1204-207	-	Snap Ring	2
14	244-6-1203-104	250-6-1203-104	Ram Bearing	1
15	*		U-cup	1
16	N/A		Cylinder	1
17	*		O-ring	1
18	532-8-0050-024		Filter	1
19	N/A		Base	1
20	238-6-1701-403		Release Valve	1
21	*		Oil Seal	1
22	601-7-0008-009		Steel Ball	1
23	503-9-0067-103		Stud	1
24	644-1-0080-031		Screw	1
25	BL80-15000-000		Hyd. Cartridge	1
26	A27010-0001		Air Motor	1
27	A27010-0002		Air Inlet Swivel	1
28	A20060-0006		Air Hose only	1
29	A20060-0005		Air Hose Assembly	1
30	B10N-21000-000		Handle Assembly	1
31	A17-4-2100-500		Piston, Air Motor	1
32	-	*	O-ring	
(*)	A50-3-9905-100	A99-3-9905-105	Repair Kit	1

(*) - parts included in Repair Kit
 N/A - parts not available, replace entire unit
 (-) - parts not exist

TROUBLESHOOTING

Symptom	Possible Causes	Corrective Action
Jack will not lift load	<ul style="list-style-type: none"> • Release valve not tightly closed • Overload condition • Air pressure inadequate 	<ul style="list-style-type: none"> • Ensure release valve tightly closed • Remedy overload condition • Ensure adequate air pressure
Jack will lift, but not maintain pressure	<ul style="list-style-type: none"> • Release valve not tightly closed • Hydraulic unit malfunction 	<ul style="list-style-type: none"> • Ensure release valve tightly closed • Contact AME International
Jack will not lower after unloading	<ul style="list-style-type: none"> • Reservoir overfilled 	<ul style="list-style-type: none"> • Ensure load is removed, then drain fluid to proper level
Poor lift performance	<ul style="list-style-type: none"> • Fluid level low • Air trapped in system 	<ul style="list-style-type: none"> • Ensure proper fluid level • Refer to Bleeding/ Venting Trapped Air instructions
Will not lift to full extension	<ul style="list-style-type: none"> • Fluid level low 	<ul style="list-style-type: none"> • Ensure proper fluid level

