



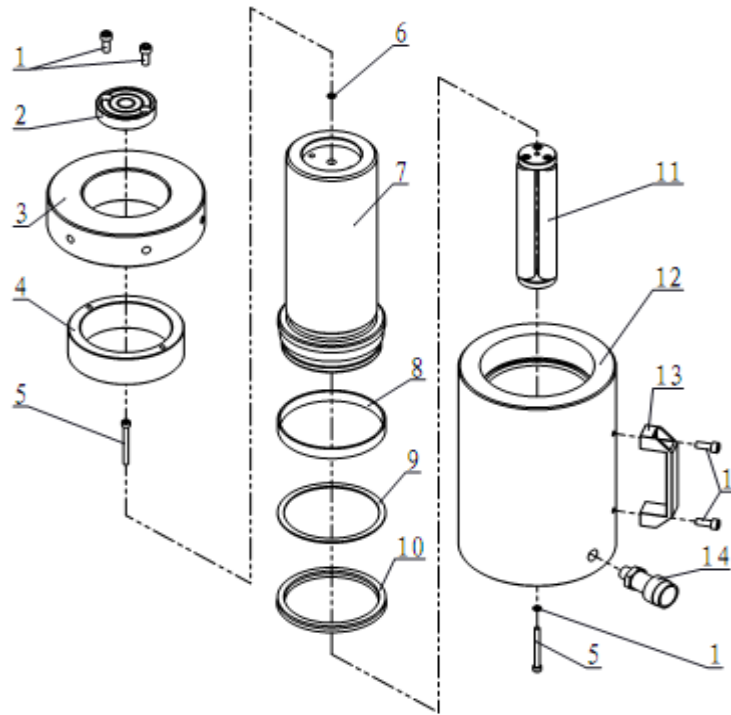
Repair Part Sheet for 13155

100 Ton Aluminum Cylinder with Locking Collar



AME Cylinders should be repaired only by a qualified operator or Authorized AME International Service Centers. Use Only AME International or other approved hydraulic oil. Release pressure in hydraulic system and disconnect hose(s) before making repair.

Parts List



Item No.	Part Number	Description	Quantity
1	13155-001	Bolt	4
2	13155-002	Saddle	1
3	13155-003	Nut	1
4	13155-004	Guide Ring	1
5	13155-005	Bolt	2
6	13155-006	Copper Washer	2
7	13155-007	Piston Rod	1
8	13155-008	Anti-wear Ring	1
9★	13155-009	Gasket	1
10★	13155-010	Y-ring	1
11	13155-011	Return Spring Assembly	1
12	13155-012	Cylinder	1
13	13155-013	Handle	1
14	16060	Coupler	1

★ Items included in Repair Kit, Repair Kit order number: 13155-RK