



INSTRUCTION MANUAL



Model 11015

Titan Tire Bead Breaker

2347 Circuit Way, Brooksville, Florida, USA 34604
Phone: (+1) 352-799-1111 Toll Phone: (+1) 877-775-4AME (4263)
Fax: (+1) 352-799-1112 E-mail: sales@ameintl.net www.ameintl.net



INSTRUCTION MANUAL

! WARNING !

To avoid serious personal injury, always wear proper protective gear, such as hard hats, safety glasses, gloves, and steel toe shoes when using hydraulic equipment. Failure to chock the wheels and crib the vehicle can result in Serious injury or death. Always deflate tires before removing a wheel, a rim, or part of a rim clamp or nut. If you do not deflate the tire, the tire could explode, causing serious injury or death. Always stand to one side of the rim when using the bead breaker. Standing to one side of the bead breaker allows you to maintain control of the bead breaker. If it is not seated properly and flies off the rim, the bead breaker could cause serious injury or death.

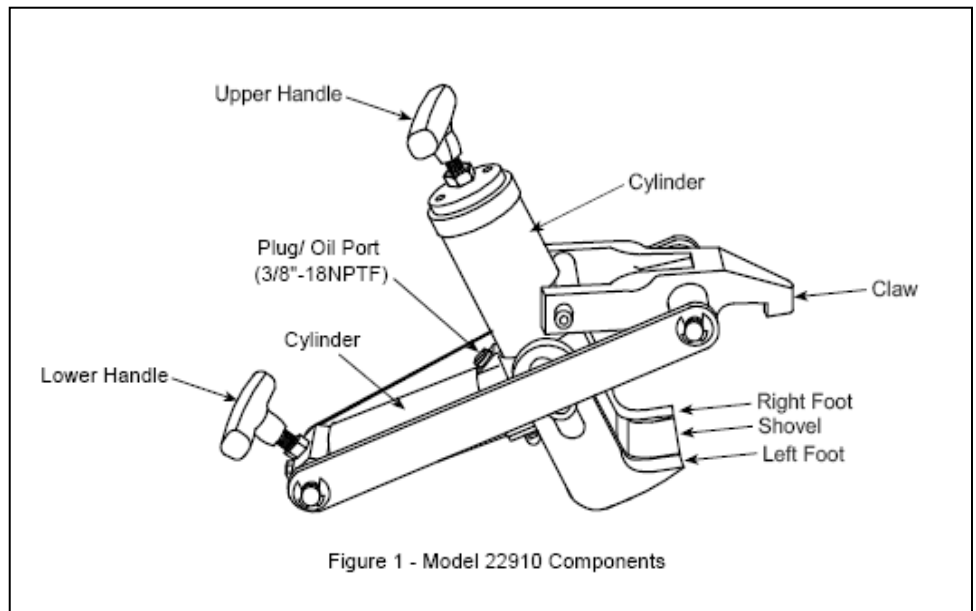


Save these instructions

For your safety, read, understand, and follow the information provides with and on this product. The owner and operator shall have an understanding of this product and safe operating procedures before attempting to use. Instructions and safety information shall be conveyed in the operator's native language before use of this jack is authorized. Make certain that the operator thoroughly understands the inherent dangers associated with the use and misuse of the product. If any doubt exists as to the safe and proper use of this product, remove from service immediately. **Inspect before each use.** Do not use if broken, bent, cracked, damaged or missing parts (including labels) are noted. The owner and operator shall be aware that use and repair of this product may require special skill and knowledge. It is recommended that an annual inspection be done by qualified personnel. Labels and Operator's manuals are available from manufacturer.

PRODUCT DESCRIPTION

The 11015 Hydraulic Bead Breaker is designed to work on most rims 1, 2 and 3 piece wheels. It is expressly intended to be used as an aid in breaking the bead seal between a tire and it's one piece wheel for the purpose of resealing bead seal, replacement of tire or wheel, replacing tire valve, tire tube etc. Bead breaker works directly on the bead of the tire and will not damage the tire if used correctly.





INSTRUCTION MANUAL

OPERATION

Notice For best result, use an approved tire bead lubricant before removing or installing tire on rim.

1. Remove the wheel from the vehicle and secure on a suitable work surface. Fully deflate the tire, remove valve core, and all balance weights.
2. Hold and position the bead breaker under the rim flange. Position the claw on the inner part of the rim, with the bead breaker feet against the outer part of the rim (refer to figure 1).
3. Operate the pump to close the claw portion and simultaneously press against the bead surface. To stop or hold, simply cease pump operation.
4. With the claw pushing against the inner part of the rim, the shovel and feet push against the lateral ring and the bead of the tire.
5. Continue operating the pump until the bead separates from the tire rim surface.
6. To release, simply release the hydraulic pressure of pump by opening the release valve on the pump or if a treadle pump, actuate the release pedal.
7. Continue this operation around both outboard and inboard sides of the rim until the bead is free.

MAINTENANCE

Important: Use only good grade hydraulic oil. **Do not** mix different types of fluid and **NEVER** use brake fluid, turbine oil, transmission fluid, motor oil or glycerin. Improper fluid can cause premature failure of the jack and the potential for sudden and immediate loss of load. Mobil DTE 13M or equivalent recommended.

Inspect the bead breaker before every use for cracks or physical damages, leaks, worn or missing parts. Do not use the bead breaker with damaged or missing parts, or oil leaks.

Lubrication

A periodic coating of light lubricating oil to pivot points, axels and hinges will help to prevent rust.

Cleaning

Keep the hydraulic system as free of dirt as possible. When not in use, couplers or connections must be sealed with dust covers

Periodically check the bead breaker for signs of rust or corrosion. Clean as needed and wipe with an oily cloth.

Storage

When not in use, store the bead breaker with cylinder fully retracted.





INSTRUCTION MANUAL

TROUBLESHOOTING GUIDE

The following information is intended as an aid in determining if problem exists. For repair service, contact AME International 877-799-4263

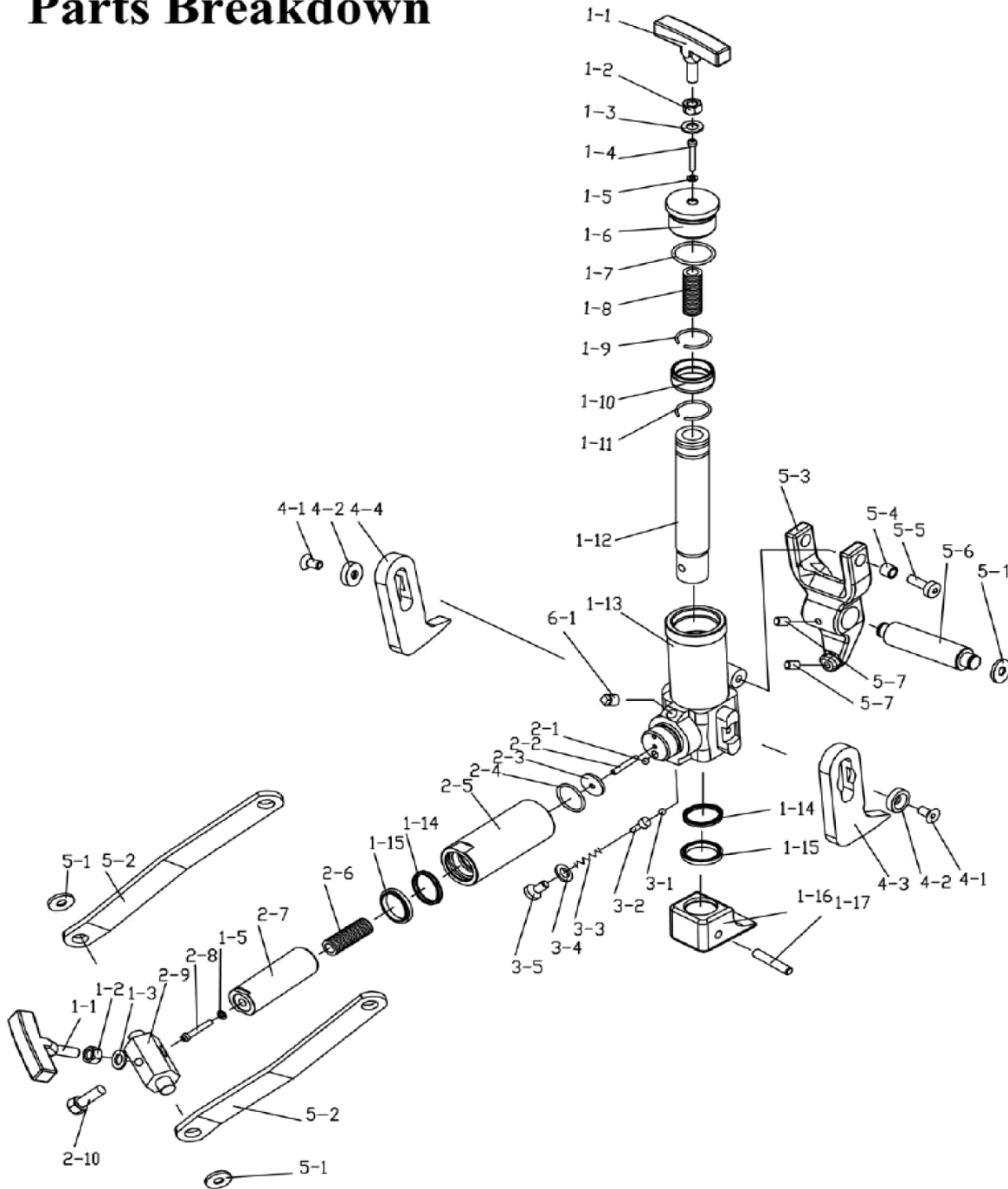
Symptom	Possible Causes	Corrective Action
Bead Breaker not able to grip the rim tightly.	· Oversize Rim	· Do not use on rims greater than 26"
Erratic action	· Tire is inflated	· Completely deflate the tire
	· external leakage	· Contact service center
	· Sticking or binding components	
Bead breaker not responding to pressurized fluid	· loose Connections	· Tighten Connections
	· faulty Connections/ Couplers	· Replace connections/ couplers
	· Loose Connections/ Couplers	· Tighten Connections/ couplers
	· oil Level in pump is low	· Depressurize and fill the pump
	· Pump is not operating	· Check pump's operating instructions
Bead breaker cannot close or shovel extends only partially	· Oil level in pump is low	· Depressurize and fill the pump
	· Sticking or binding components	· Contact service center
Bead breaker responds to pressurized fluid, but does not maintain pressure	· Pump or valve malfunctioning	· Check pump's operating instructions
	· Seals leaking	· Contact service center
Oil leaks	· Worn or damaged Seals	· Contact service center
Bead breaker will not open; Shovel will not retract or retracts slower than normal	· Malfunctioning Coupler	· Depressurize pump and hose, remove bead breaker and replace coupler
	· Pump reservoir overfilled	· Depressurize pump and hose, remove bead breaker, drain fluid to proper level
	· Damage internally	· Contact service center
	· Linkage binding	· Clean and lubricate moving parts
Shovel will not fully extend	· Oil Level in pump is low	· Depressurize pump and hose, remove bead breaker, add fluid to proper level



INSTRUCTION MANUAL

Parts List For Titan Tire Bead Breaker Model 11015

Parts Breakdown





INSTRUCTION MANUAL

Parts List For Titan Tire Bead Breaker Model 11015 (cont.)

Item No.	Part No	Description	Qty	Item No.	Part No	Description	Qty	Item No.	Part No.	Description	Qty
1-1	11015-001	Handle	2	1-16	11015-016	extrusion leg	1	3-4	11015-034	Ø12 Copper Washer	1
1-2	11015-002	M12 Nut	2	1-17	11015-017	pin	1	3-5	11015-035	M12x20 Screw	1
1-3	11015-003	Ø12 Washer	2	2-1	11015-021	Ø6 steel ball	1	4-1	11015-041	M10x15 Screw	2
1-4	11015-004	M5x50 Screw	1	2-2	11015-022	M6x30 Screw	1	4-2	11015-042	Busing	2
1-5	11015-005	Ø5 Copper Washer	2	2-3	11015-023	Washer	1	4-3	11015-043	Left Foot	1
1-6	11015-006	Cylinder Cap	1	2-4	11015-024	O Ring	1	4-4	11015-044	Right Foot	1
1-7	11015-007	O Ring	1	2-5	11015-025	cylinder	1	5-1	11015-051	Snap Ring	4
1-8	11015-008	Spring A	1	2-6	11015-026	Spring	1	5-2	11015-052	Connection Rod	2
1-9	11015-009	Snap Ring	1	2-7	11015-027	Piston Rod	1	5-3	11015-053	Claw	1
1-10	11015-010	Busing	1	2-8	11015-028	m5x70 Screw	1	5-4	11015-054	Bushing	2
1-11	11015-011	Snap Ring	1	2-9	11015-029	Joint Block	1	5-5	11015-055	M10x25 Screw	2
1-12	11015-012	Piston Rod	1	2-10	11015-030	M12x45 Bolt	1	5-6	11015-056	Shaft	1
1-13	11015-013	cylinder body	1	3-1	11015-031	Ø Steel Ball	1	5-7	11015-057	Screw	2
1-14	11015-014	Y-Seal	2	3-2	11015-032	Ball Seat	1	6-1	11015-061	Plug	1
1-15	11015-015	Busing	2	3-3	11015-033	Spring	1				

2347 Circuit Way, Brooksville, Florida, USA 34604
 Phone: (+1) 352-799-1111 Toll Phone: (+1) 877-775-4AME (4263)
 Fax: (+1) 352-799-1112 E-mail: sales@ameintl.net www.ameintl.net