

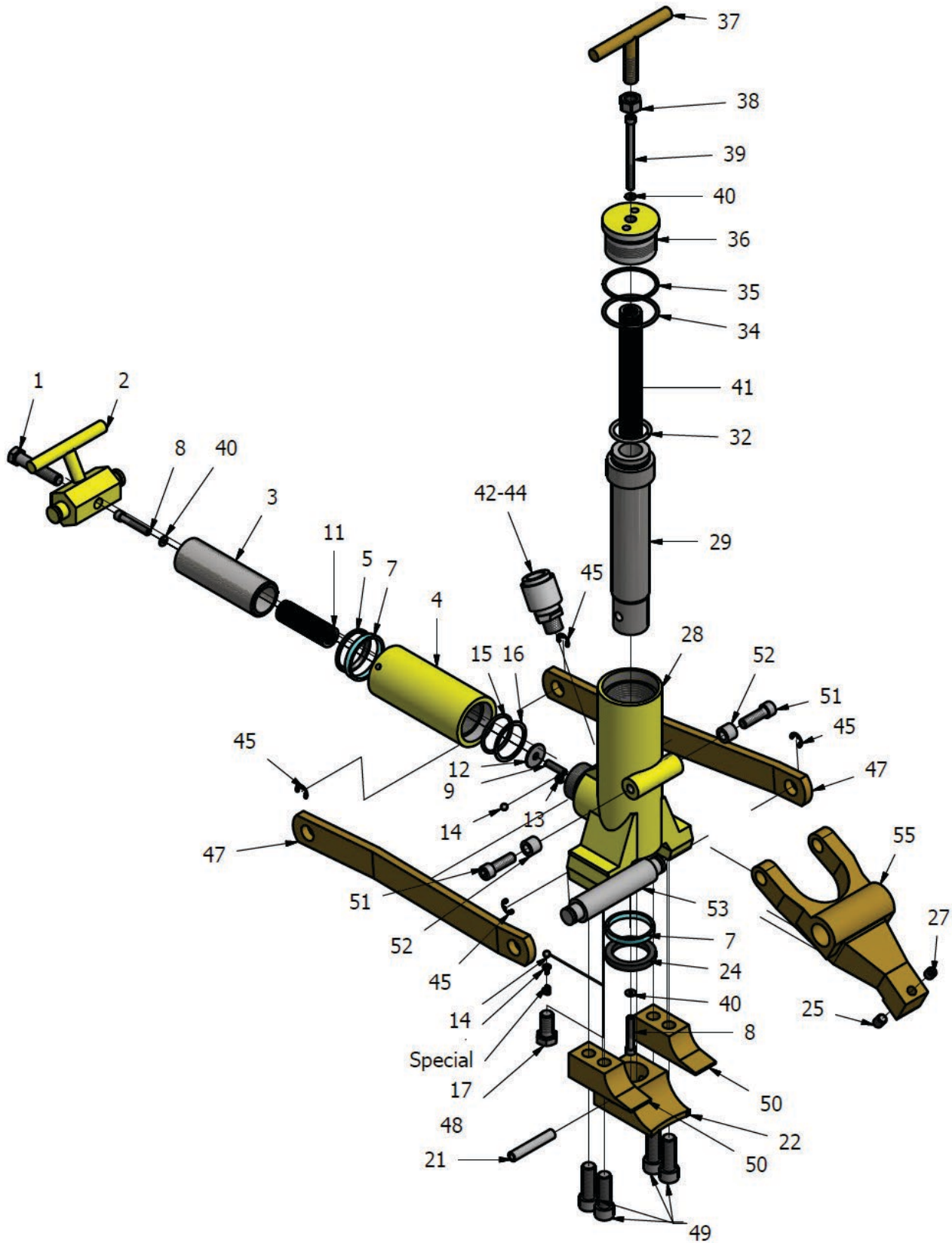


INSTRUCTION MANUAL

#11010 "COMBI TIRE" BEAD BREAKER



Parts Breakdown



11010 "COMBI" TIRE BEAD BREAKER



Parts Breakdown

ITEM	PRODUCT NO.	DESCRIPTION	QTY
1	11010-001	SCREW, HEX HD. CAP (7/16-14 X 2); TORQUE TO 30/40 FT.LBS	1
2	11010-002	HANDLE, STRAP PIVOT	1
3	11010-003	PISTON, (SINGLE JAW)	1
4	11010-004	BODY, CYLINDER (SINGLE JAW); TORQUE TO 125/140 FT.LBS	1
5	11010-005	ROD WIPER	1
7	11010-007	U-CUP	2
8	11010-008	SCREW, SOC HD (1/4-20 X 1-1/4), TORQUE TO 215/140 FT.LBS	2
9	11010-009	SCREW, SET (1/4-20 X 1)	1
11	11010-011	SPRING, (.83 OD X .13 WS)	1
12	11010-012	WASHER, SPECIAL (1.00 X .26)	1
13	11010-013	SPRING, (.36 OD X .50 X .05 WS)	1
14	11010-014	BALL, (1/4 IN. DIAMETER, STEEL)	2
15	11010-015	O RING, (1.62 X 1.37 NITRILE)	1
16	11010-016	WASHER, BACKUP (2.00 X 1.75)	1
17	11010-017	SPRING, (.32 OD X 1.20 X .08 WS)	1
21	11010-021	PIN, ROLL (.38 X 2.25)	1
22	11010-022S	CLAW, MACHINING	1
24	11010-024	WIPER, ROD (2.00 X 1.50 URE)	1
25	11010-025	SCREW, SET (3/8-16 X 3/8)	1
27	11010-027	SCREW, SET (3/8-16 X 1/2)	1
28	11010-028	BODY, BEAD BREAKER	1
29	11010-029	PISTON, CYLINDER	1
32	11010-032	RING, RETAINER (INTERNAL 1/31 ID)	1
34	11010-034	O RING (2.00 X 1.75)	1
35	11010-035	WASHER, BACKUP (2.00 X 1.75)	1
36	11010-036	PLUG, END (TORQUE TO 14/225 FT.LBS)	1
37	11010-037	HANDLE	1
38	11010-038	NUT, HEX JAM (1/2-13)	1
39	11010-039	SCREW, SOC HD (1/4-20 X 2-1/2, TORQUE TO 90/110 IN.LBS)	1
40	11010-040	WASHER, COPPER (.37 X .25)	3
41	11010-041	SPRING, (.83 OD X 5.00 X .13 WS)	1
45	11010-045	RING, RETAINER EXTERNAL	4
47	11010-047	STRAP	2
48	11010-048	SCREW, CAP (9/16-18 X 1-1/8)	1
49	11010-049	SCREW, SOC. HD. (1/2-13 X 1-1/4)	4
50	11010-050	TOOTH, REPLACEABLE	2
51	11010-051	SCREW, SOC. HD. (3/8 X 16 X 1)	2
52	11010-052	SPACER	2
53	11010-053	PIN	1
55	11010-055	JAW, SINGLE	1
42-44	16060	FLUID LINE ATTACHMENT	1
Special	11010-060	BALL CAP : OPTIONAL	1